

HART™



Mud Kitchen

PROJECT PLAN

Finished Dimensions: 48"W x 52"H x 24"D

Skill Level: Intermediate

Materials

Item	Qty
2" x 4" x 8' Board*	5
1" x 5" x 8' Board*	8
#8 x 2-1/2" Torx Flat Head Deck Screw	
#8 x 1-1/4" Torx Flat Head Deck Screw	
Sand Paper**: 150g, 220g & 320g	
Drill Bits: 1/8" & 3/8"	
5 qt. Mixing Bowls, Stainless Steel (Click here to Purchase)	2

* Board Dimensions are "nominal". Actual dimensions are smaller due to lumber industry standards. Cuts are actual length.

** Starting grit will depend on board surface condition, a rough surface will require starting with a coarse grit first.

Grit is measured in the coarseness of the particles on the sandpaper. The lower the grit number, the coarser the paper. Heavy sanding would require 60 to 80 grit, medium sanding would require 120 to 220 grit, and finish sanding would require 320 to 400 grit. Super fine sanding would be 600 grit and higher.

A select/premium board or plywood comes with a smoother surface finish. It is clear or has very few tight knots, and it will have straight and sharp edges. This grade of wood pairs well with other boards or panels better and requires less time to sand and finish.

Tools Used



Miter Saw

or



Circular Saw



Drill/Driver



Jig Saw



Orbital Sander



20V 1.5Ah Battery



20V 4.0Ah Battery



Charger



Tape Measure



Safety Glasses



Drill Bits

Also Needed:
Drawing Compass
Clamps

Battery Tip: A 4.0 Ah battery is recommended to be paired with high amp draw tools for maximum efficiency.

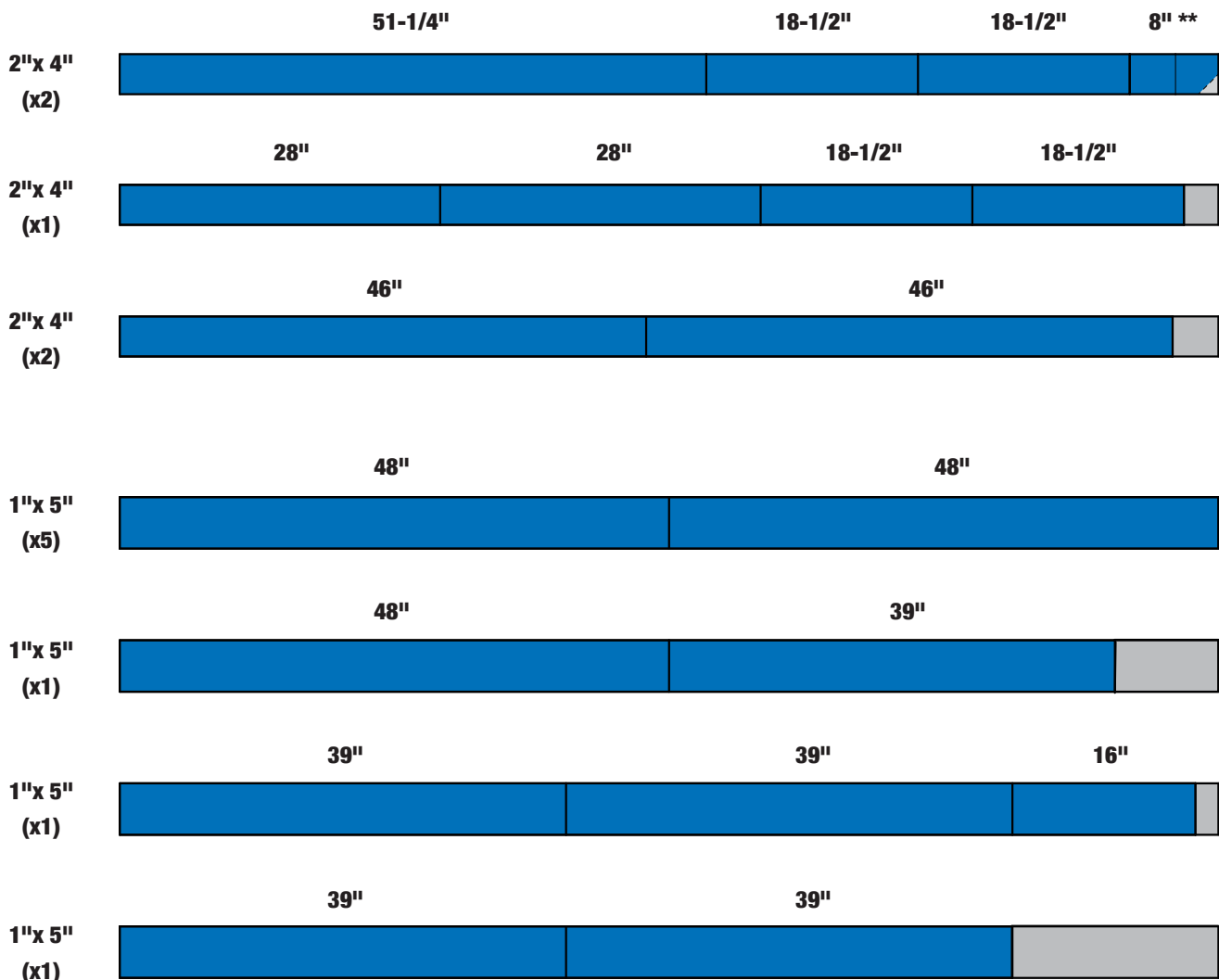
Lumber Cut List

Board*	Description	Cut to	Qty
2" x 4"	Back Legs	51-1/4"	2
2" x 4"	Front Legs	28"	2
2" x 4"	Side & Middle Stiles	18-1/2"	6
2" x 4"	Front & Back Rails	46"	4
2" x 4"	Shelf Supports	8" **	2
1" x 5"	Counter Top & Back	48"	11
1" x 5"	Bottom Shelf	39"	5
1" x 5"	Upper Shelf	16"	1

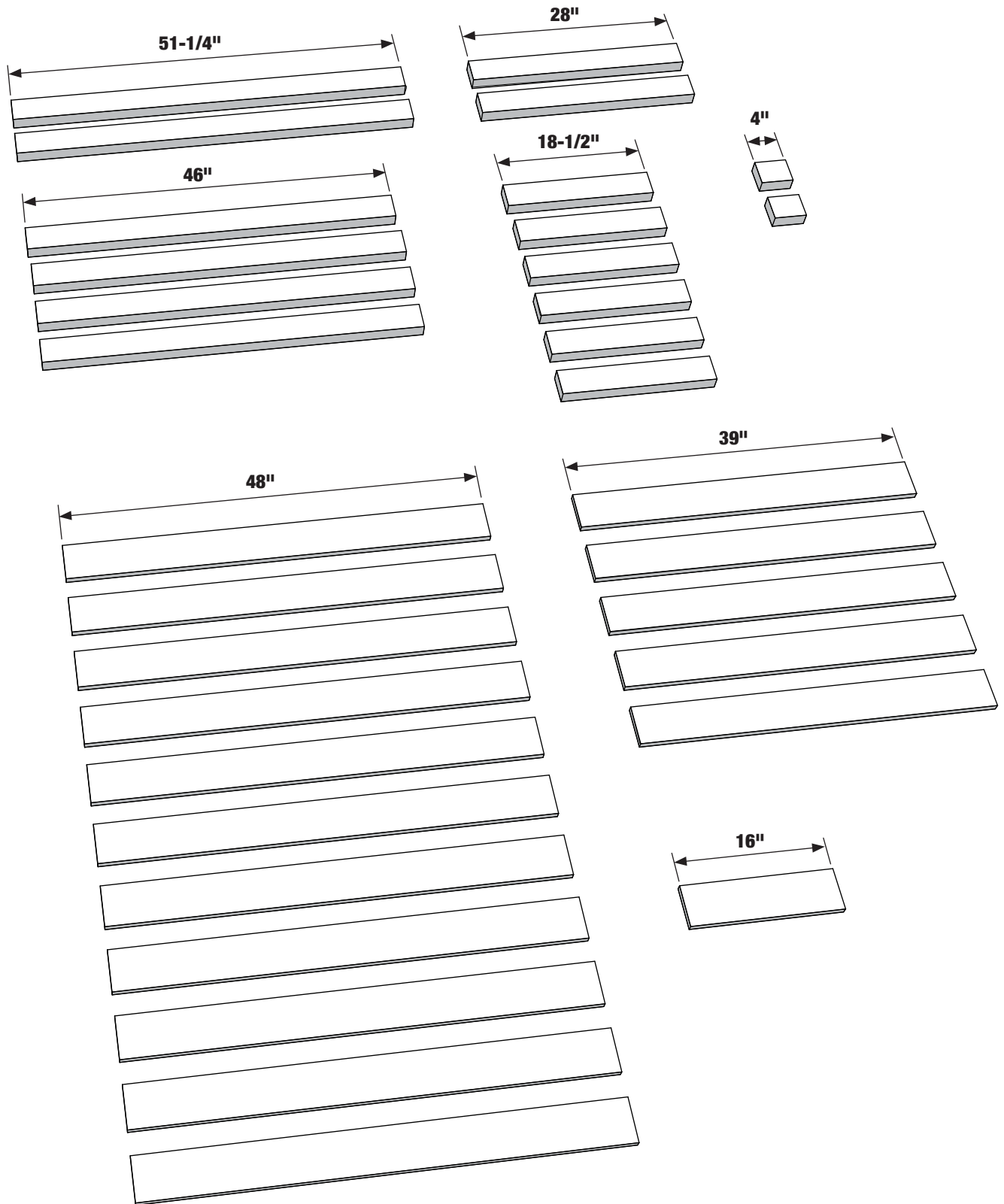
* Board dimensions are "nominal." Actual dimensions are smaller due to lumber industry standards. Cuts are actual length.

** This dimension is an approximation, Actual size and shape will be cut in Step 2.

Lumber & Sheet Layout Guide



Lumber & Sheet Cut Layout Guide



Assembly Instructions

Step 1

Cut out all material using the Lumber & Sheet Cut Layout Guide.



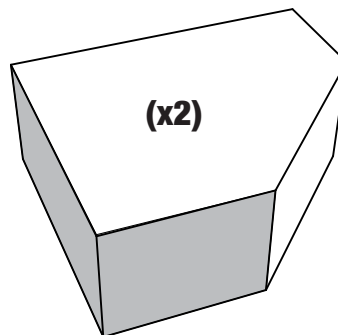
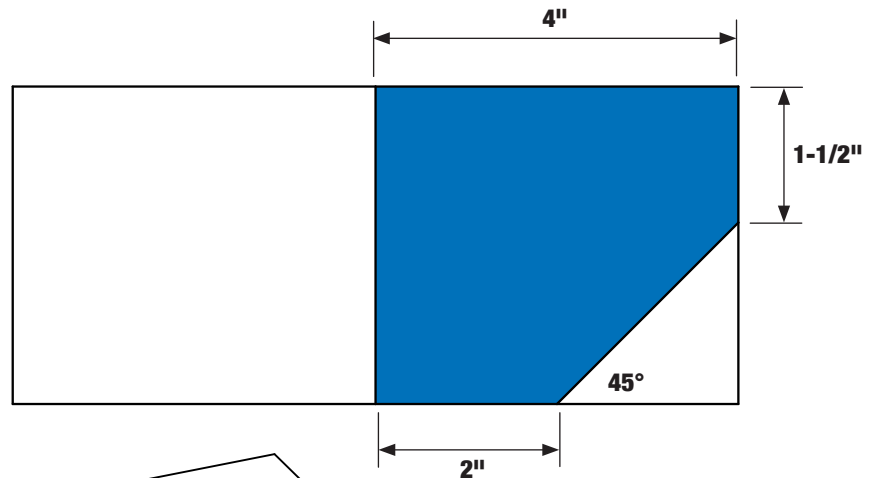
Step 2

Take (2) of the 8" x 2" x 4" boards and measure down 1-1/2" on (1) end and make a mark.

Set the Miter Saw at 45° and cut on the mark.


Measure over 4" from the top and cut the remaining material off at a 90° cut.

These are the (2) shelf supports.

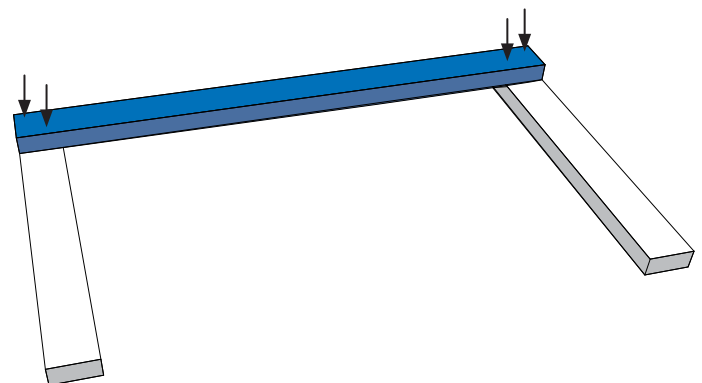


Step 3

Place (1) of the 46" rails across the (2) 28" front legs. Square up the corners and attach with the (2) #8 x 2-1/2" deck screws at each attachment point.

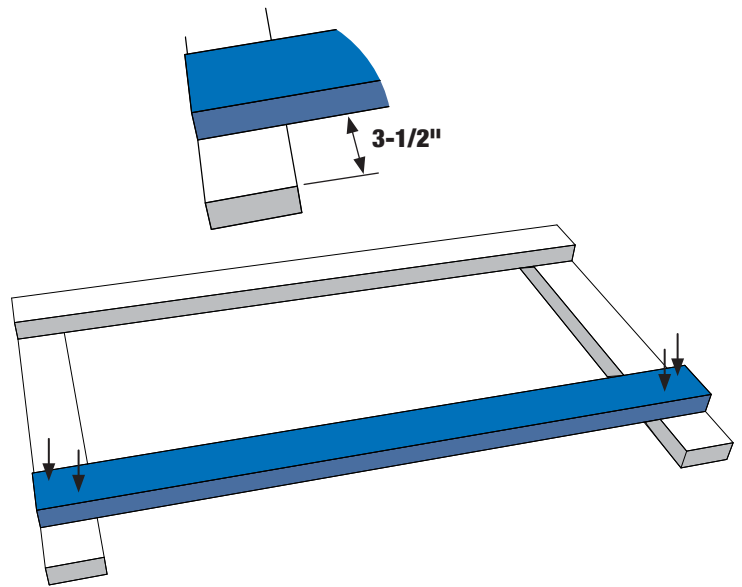
 **Tip - Pre-drill a 1/8" hole where deck screws will be placed to help prevent the boards from splitting.**

Follow this attachment method throughout the frame assembly.



Step 4

Measure 3-1/2" from the bottom of the front legs and attach another 46" rail.

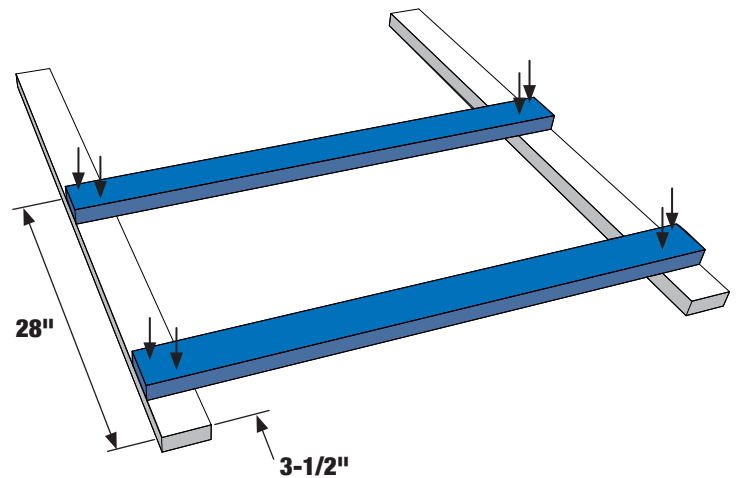


Step 5

Take the (2) 51-1/4" back legs and lay them down. Measure 28" from the bottom of both legs and make a mark. Then measure 3-1/2" and make a mark.

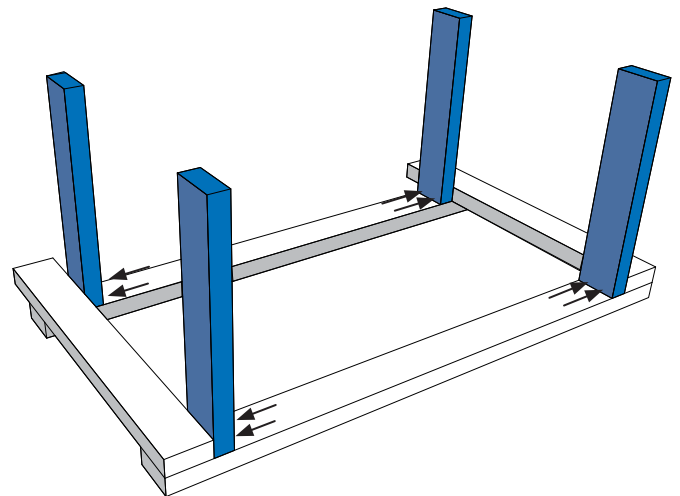
Place a 46" rail below the 28" mark and attach.

Place the remaining 46" rail above the 3-1/2" mark and attach.



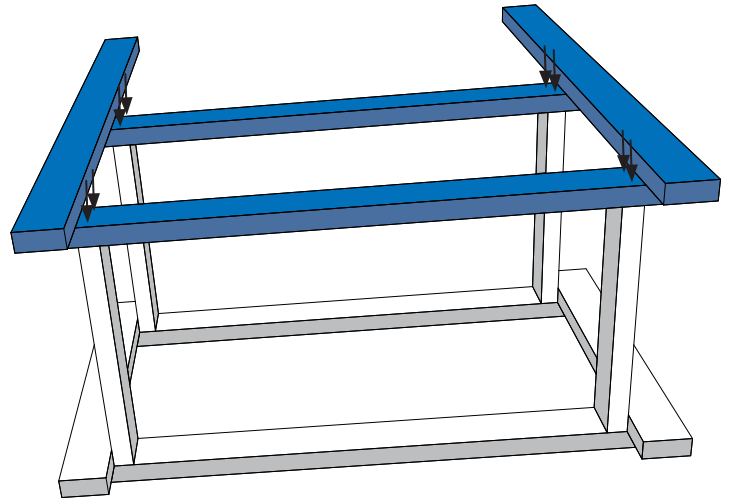
Step 6

Take the front frame and attach an 18-1/2" board at each intersection on the face frame.



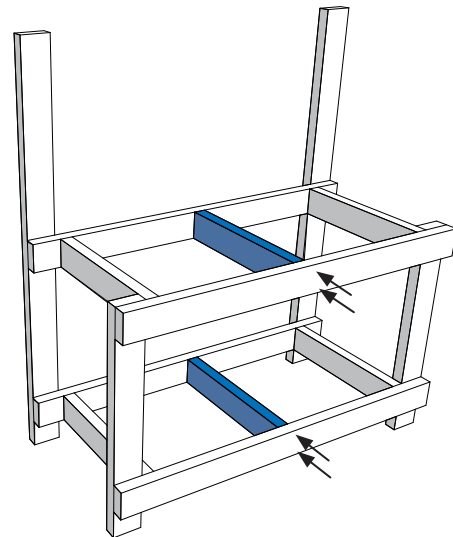
Step 7

Put the frame face down and place the back frame on top. Align the frames so they are square with each other. Attach the back frame to the front frame.



Step 8

Add the (2) remaining 18-1/2" boards to the middle of top and bottom rails.

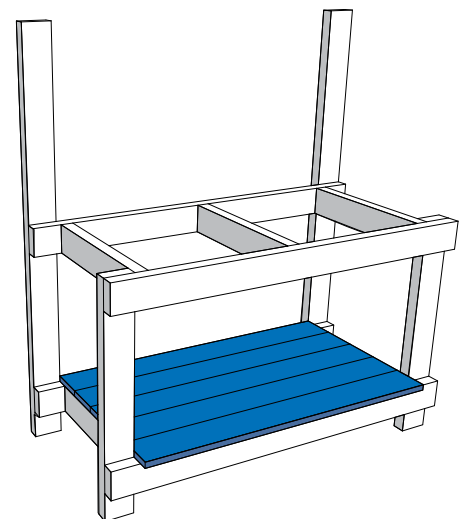


Step 9

Starting at the back, align (1) of the 1" x 5" x 39" bottom shelf boards with the back of the bottom rail.

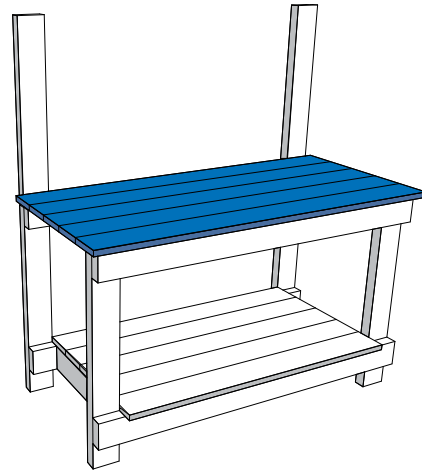
Attach the shelf boards to the bottom and middle rails with the #8 x 1-1/4" deck screws. Pre-drill holes with a 1/8" hole first.

Work forward and attach the rest of the shelf boards. The boards should be snug with each other. The front most board will hang over the front rail about 1".



Step 10

Attach (5) of the 48" counter boards to the top of the table using the same attachment method in Step 9. Make sure the overhang on both ends are equally spaced.

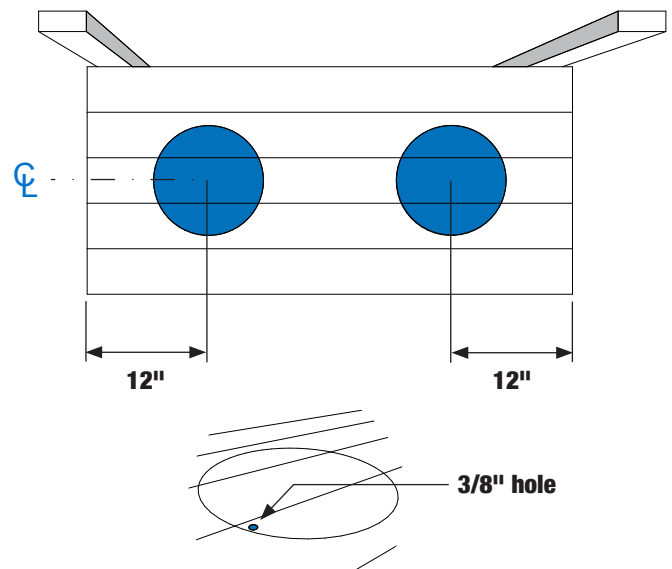


Step 11

Find the center line through the length of the counter top. Mark a 12" point from each end as shown in the diagram.

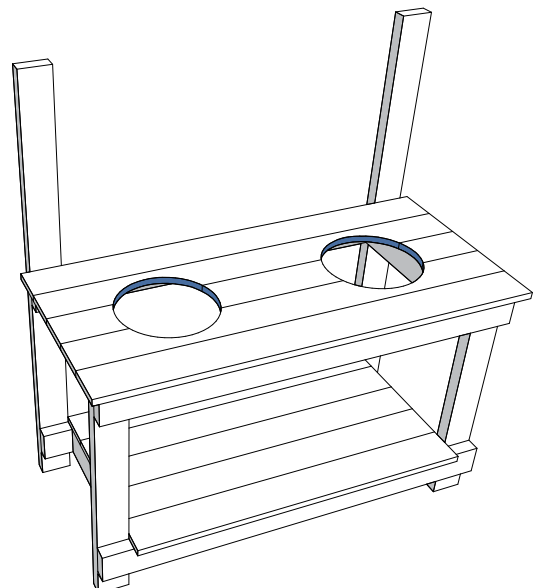
Use the drawing compass to mark a circle with 10-7/8" diameter.

Drill a 3/8" hole on the inside of the circle line to allow the Jigsaw blade to pass through.



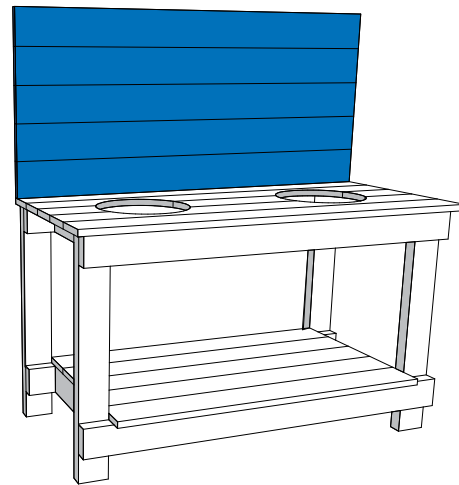
Step 12

Use a Jigsaw to cut out the (2) circles.



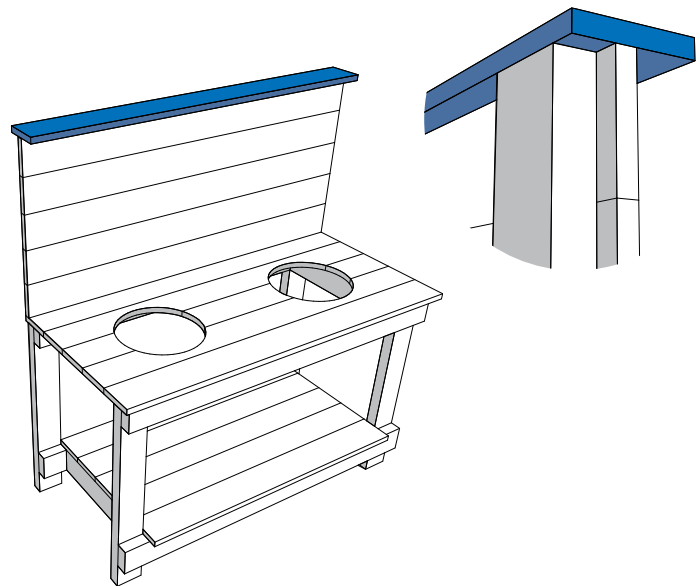
Step 13

Take (5) of the 48" boards and attach them to the back legs. Start from the bottom and work upwards.



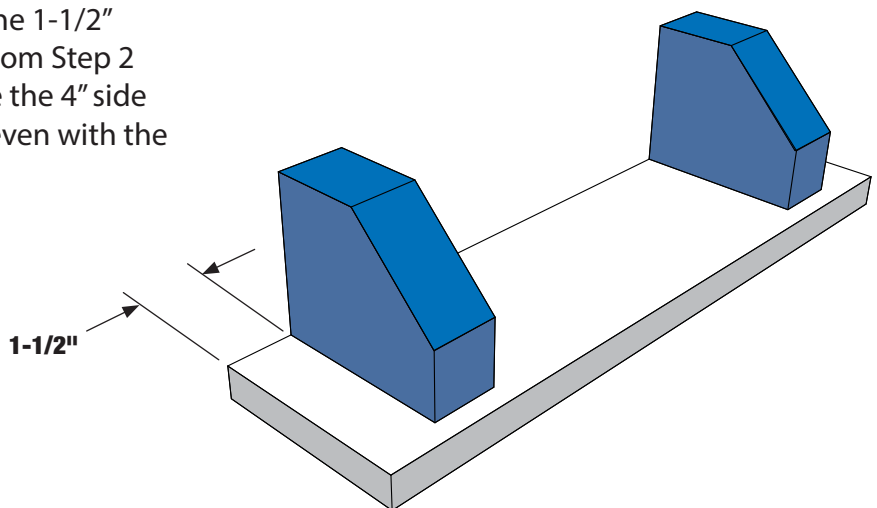
Step 14

The remaining 48" board will create the top shelf. Align it so the back edge of the 2" x 4" board and 1" x 5" board are even with each other as shown in the diagram.



Step 15

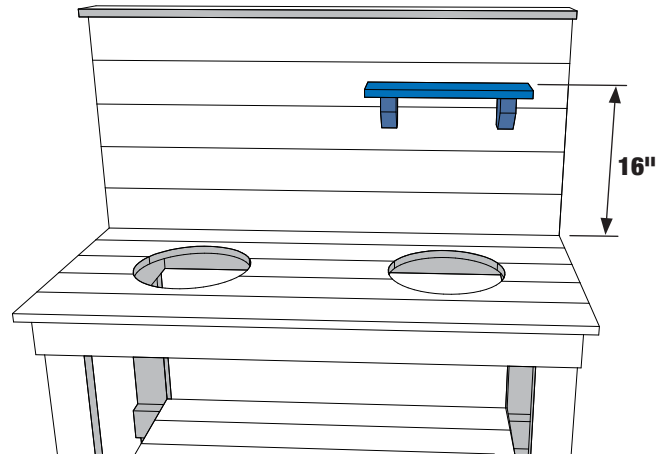
Take the 1" x 5" x 16" board and mark a line 1-1/2" from each end. Take the shelf supports from Step 2 and attach them to the board. Make sure the 4" side is flush with the board and the 3-1/2" is even with the back. Attach with #8 1-1/4" deck screws.



Step 16

Measure 16" up from the top of the counter and mark a level line 12" in from the right side. This will align the center of the shelf with the circle.

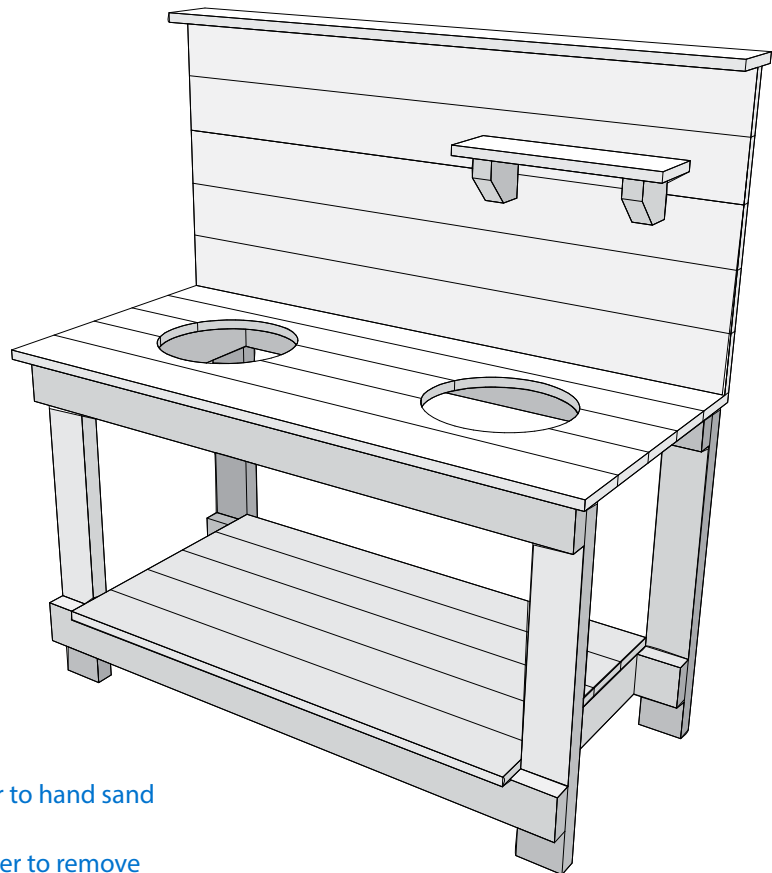
Attach the shelf from the back side of the #8 1-1/4" deck screws.



Step 17

Sand and finish to your desire.

Place 11" bowls in the circle cut outs.



Rougher finish – Use 60-80 grit sandpaper to hand sand with the grain of the wood.

Smoother finish – Use 60-80 grit sandpaper to remove scratches & imperfections.

Followed by using 120-220 grit to smooth.

Finish Sanding – Use 320-400 grit sandpaper

Super fine sanding – Use 600+ grit sandpaper

