

HART™



Sandbox

PROJECT PLAN

Finished Dimensions: 72"W x 12-1/2"H x 72"D

Skill Level: Beginner

Materials

Item	Qty
2" x 12" x 8' Board* (Pressure-Treated)	4
5/4" x 6" x 8' Board* (Pressure-Treated Decking Board)	1
#9 x 3" Torx Flat Head Wood Deck Screws	
Weed Mat	
Drill Bits: 1/8"	

* Board Dimensions are "nominal". Actual dimensions are smaller due to lumber industry standards. Cuts are actual length.

** Starting grit will depend on board surface condition, a rough surface will require starting with a coarse grit first.

Grit is measured in the coarseness of the particles on the sandpaper. The lower the grit number, the coarser the paper. Heavy sanding would require 60 to 80 grit, medium sanding would require 120 to 220 grit, and finish sanding would require 320 to 400 grit. Super fine sanding would be 600 grit and higher.

A select/premium board or plywood comes with a smoother surface finish. It is clear or has very few tight knots, and it will have straight and sharp edges. This grade of wood pairs well with other boards or panels better and requires less time to sand and finish.

Tools Used



Circular Saw



Drill/Driver



20V 1.5Ah Battery



20V 4.0Ah Battery



Charger



Tape Measure



Safety Glasses



Drill Bits

Also Needed:
Clamps
Combination Square

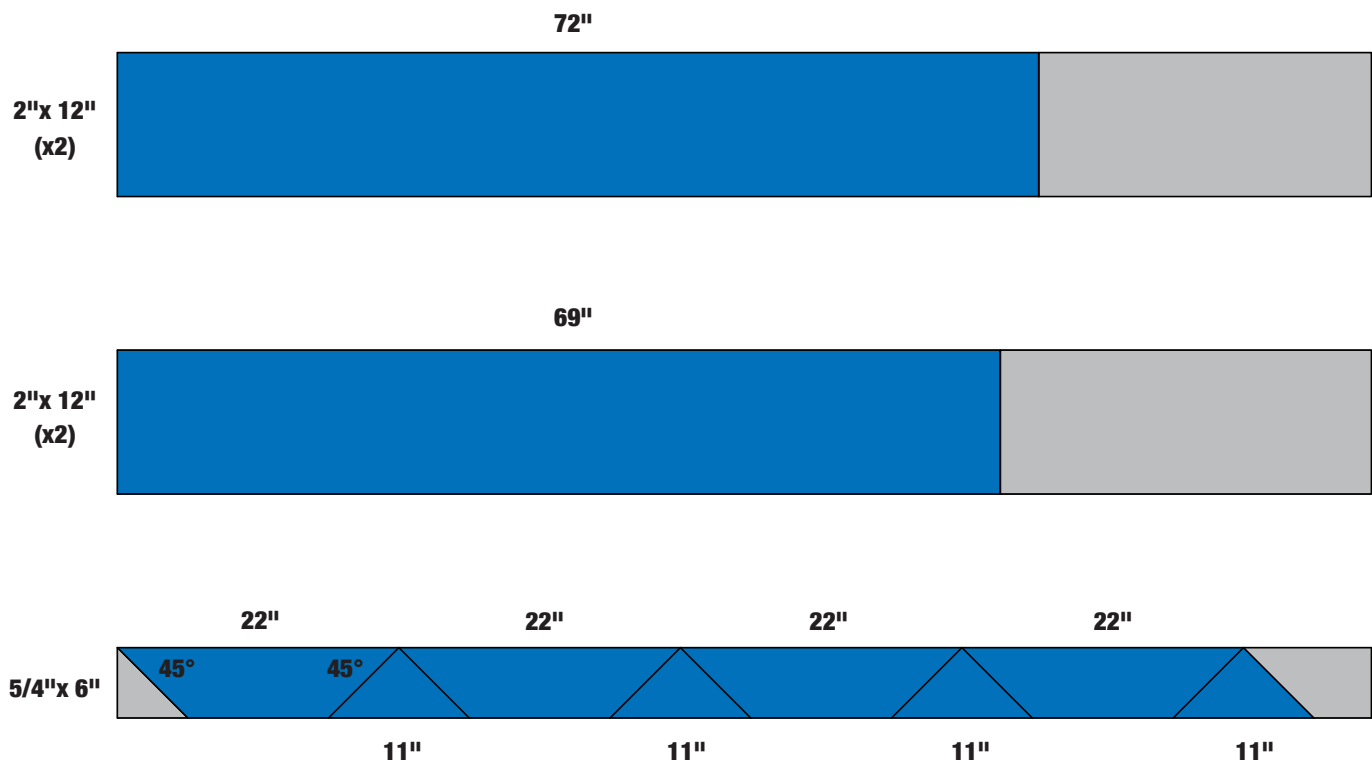
Battery Tip: A 4.0 Ah battery is recommended to be paired with high amp draw tools for maximum efficiency.

Lumber Cut List

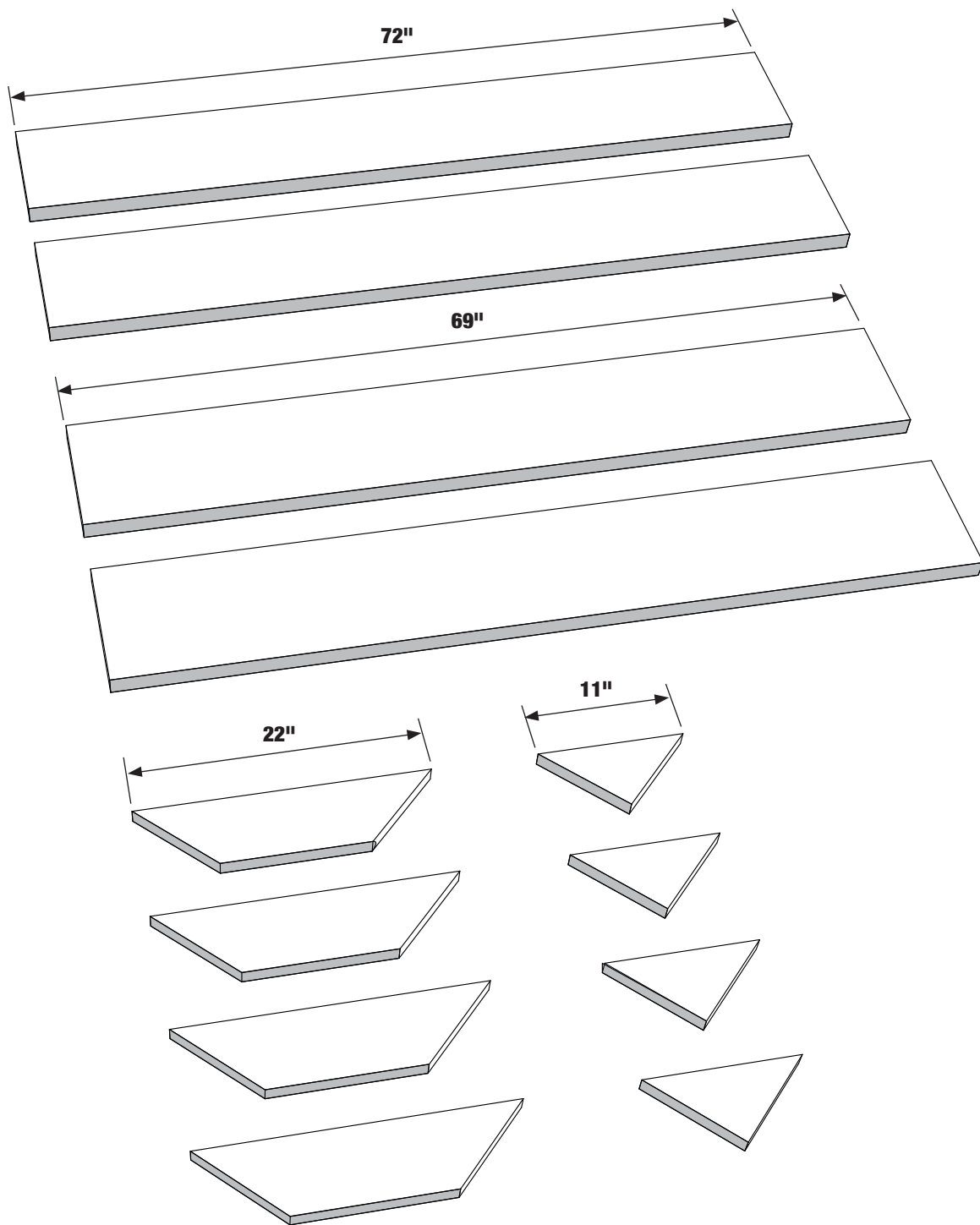
Board*	Description	Cut to	Qty
2" x 12"	Side Boards	72"	2
2" x 12"	Side Boards	69"	2
5/4" x 6"	Seat Board A	11" (LD)	4
5/4" x 6"	Seat Board B	22" (LD)	4

* Board dimensions are "nominal." Actual dimensions are smaller due to lumber industry standards. Cuts are actual length.

Lumber & Sheet Layout Guide



Lumber & Sheet Cut Layout Guide



Assembly Instructions

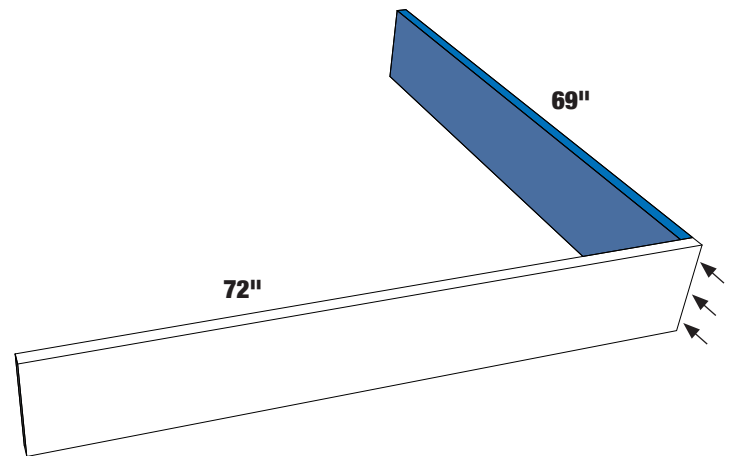
Step 1

Cut out all material using the Lumber & Sheet Cut Layout Guide.



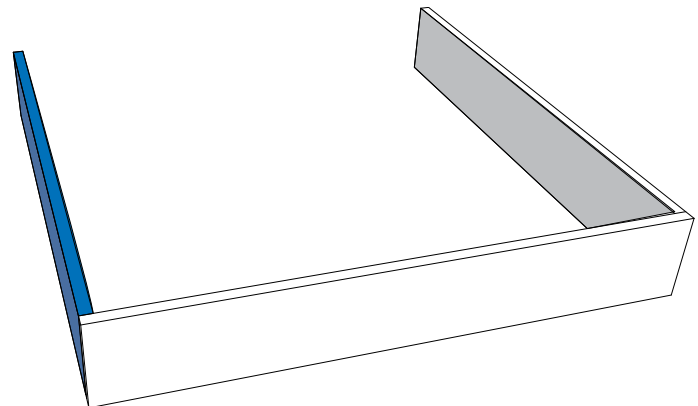
Step 2

Take (1) of the 72" side boards and attach it to (1) of the 69" side boards using (3) of the #9 x 3" wood deck screws.



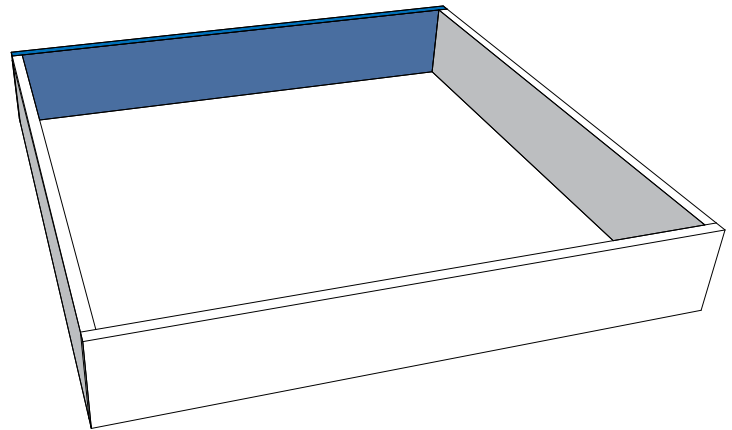
Step 3

Attach the 69" side board to the opposite side using the same method.



Step 4

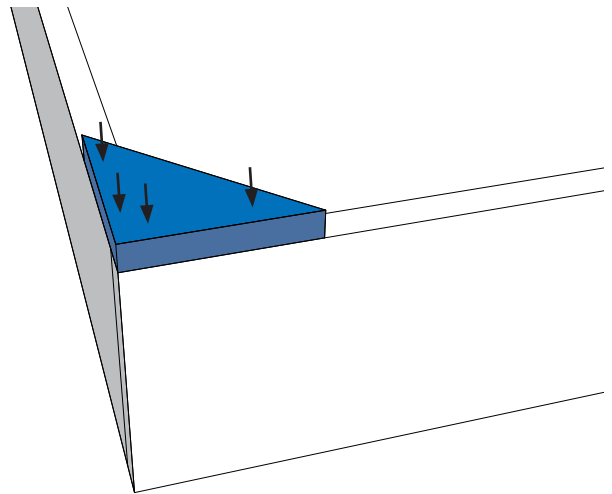
Add the remaining 72" side board to complete the (4) sides.



Step 5

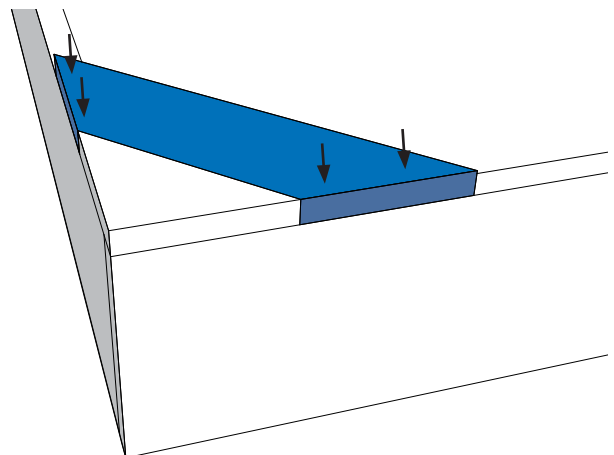
Add (1) seat board (A) to the corner and make it even with both outside edges. Attach with (4) of the #9 x 3" wood deck screws.

H Tip - To prevent the decking boards from splitting, pre-drill a 1/8" hole through the board where screws will go.



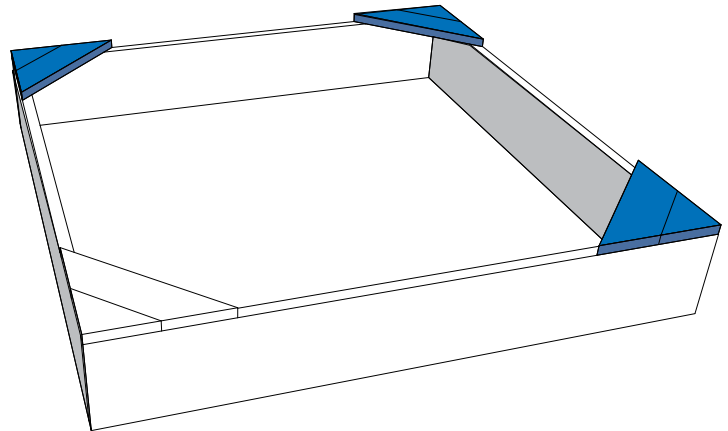
Step 6

Now attach seat board (B) to the inside of seat board (A).



Step 7

Repeat the same process on the remaining (3) corners.



Step 8

Sandbox complete!

Add a layer of Weed Mat before filling the box with sand.

 **Tip - Sandbox fill:**

8" of sand will require (48) 50lb. bags, 0.9 cubic yards.

6" of sand will require (36) 50lb. bags, 0.7 cubic yards.

